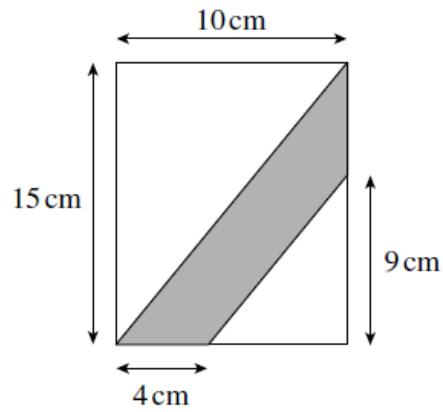
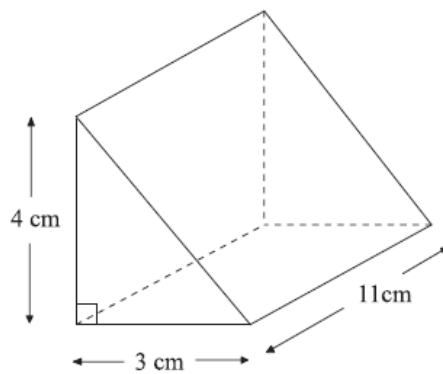


Area and volume problems

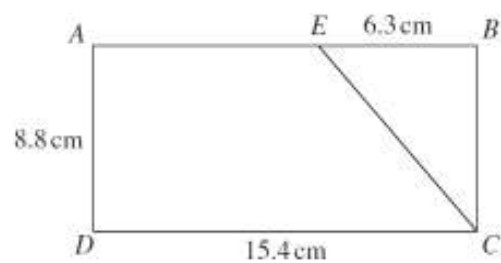
1. The lake Coniston Water has an area of 4.9km^2 . Find the area in m^2
2. Convert 3m^2 to cm^2
3. Convert 1m^3 to cm^3
4. Find the shaded area



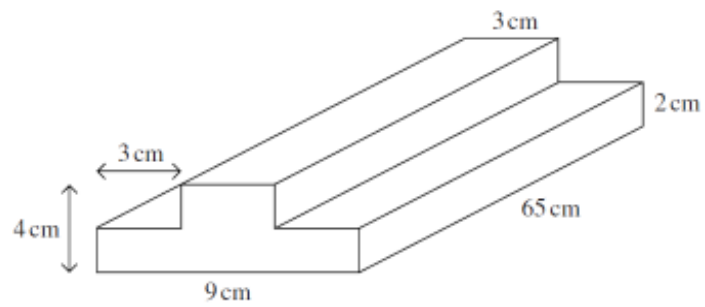
5. Find the volume of the shape below



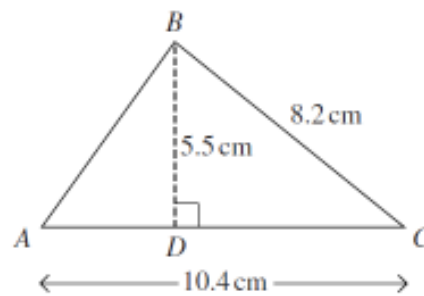
6. Find the area of trapezium $AECD$.



7. Find the volume of the block shown below

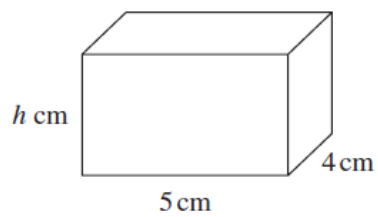


8. Find the area of the triangle ABC below



- 9.

A cuboid has a volume of 75 cm^3



The length is 5 cm.
The width is 4 cm.

Find the height, h cm.

10. A cylinder is cut out of a cube as shown below, find the volume remaining

