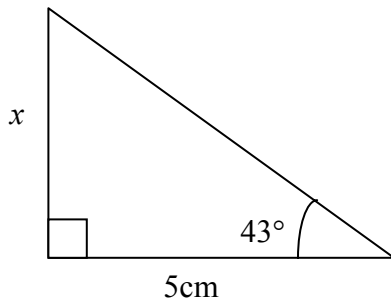


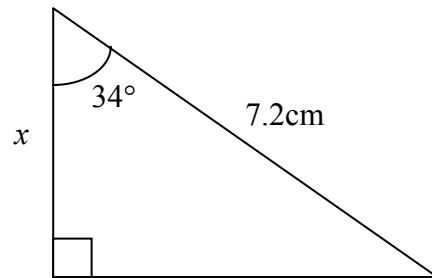
# Trigonometry Worksheet (Sides)

1. Find the length of the side shown as  $x$  in the following triangles

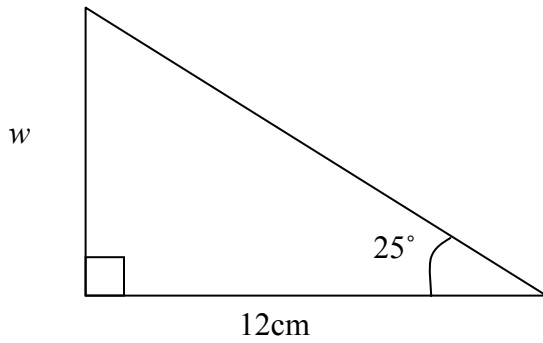
*a.*



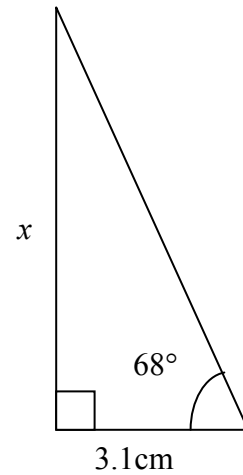
*b.*



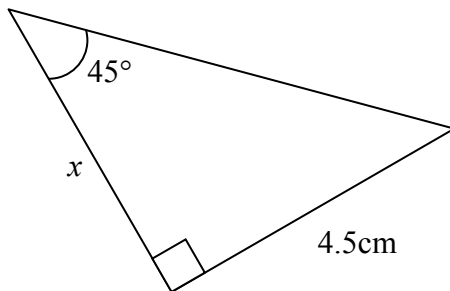
*c.*



*d.*



*e.*



*f.*

