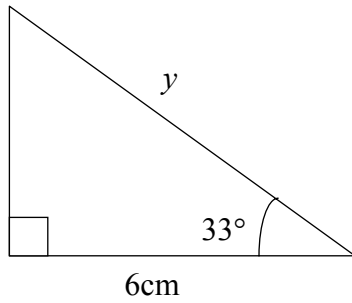


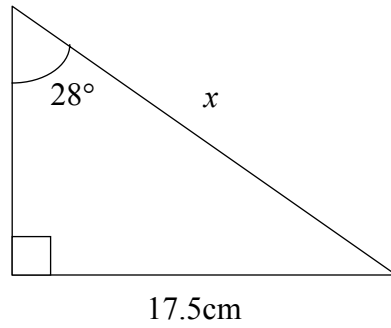
Trigonometry Worksheet (Sides 2)

1. Find the length of the sides shown by a letter in the following triangles

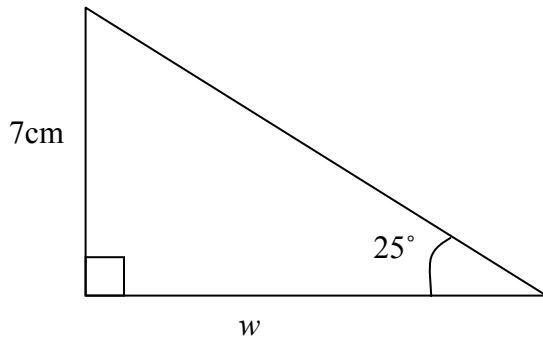
a.



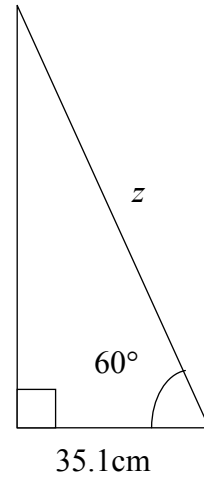
b.



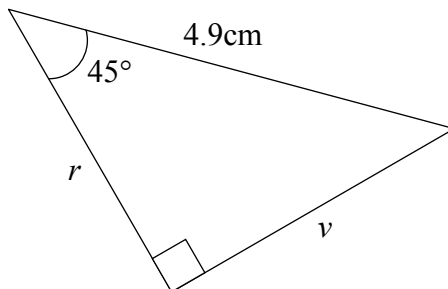
c.



d.



e.



f.

